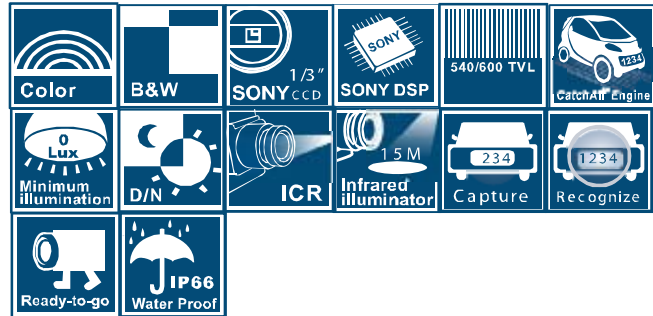




SCR 506/SCR506R D/N overview & close-range plate capture camera



The SCR506/SCR506R combines a high-performance plate-capture camera with Day/Night overview functionality to monitor surrounding areas, providing information on vehicle type, color, and shape. When integrated with the external License Plate Recognition (LPR) software, the SCR506 can also capture non-reflective and the SCR506R can capture reflective plates at short range. These two cameras can play a dual role, capturing license-plates and monitoring surrounding areas.

The camera's outstanding feature set ensures seamless integration and enhanced performance when used in conjunction with external LPR software. The SCR506/SCR506R is equipped with powerful 850 nm IR to ensure that it works perfectly even in total darkness to deliver clear plate images. Its varifocal IR-corrected lens and IR day/night mode keep it in focus day and night to optimize its round-the-clock image-capture capabilities. In short, the SCR506/SCR506R provides the kind of reliability and day-and-night surveillance-and-capture performance crucial to maximizing the efficiency of LPR applications.

Day/Night Overview Functionality

Day/Night overview functionality enables this plate capture camera to monitor surrounding areas, gathering information on vehicle type, color and shape.

24-hour Surveillance

The SCR506 incorporates an ICR day/night mode enabling the camera to adapt to diverse lighting conditions.

Powerful IR

Its powerful IR functionality and integrated IR-corrected lens deliver perfect image captures and outstanding images. It is also equipped with a high-power LED to help minimize energy usage.

Wide Range Capture

Its built-in 9-22mm lens captures a wide 3-8 m(10-27 ft) field.

Rain Guard/ Extendable Sunshield

The camera's rain guard and extendable sunshield minimize the effects of rain and sunlight on image quality.

Easy Installation

The cable-management bracket enables easy installation in any location, including walls, surfaces, and ceilings.

2009.8.20 version.

MESSOA reserves the right to update this datasheet at any time without notice.

MESSOA USA e-mail:info.us@messo.com/MESSOA Taiwan e-mail:info@messo.com



Specifications

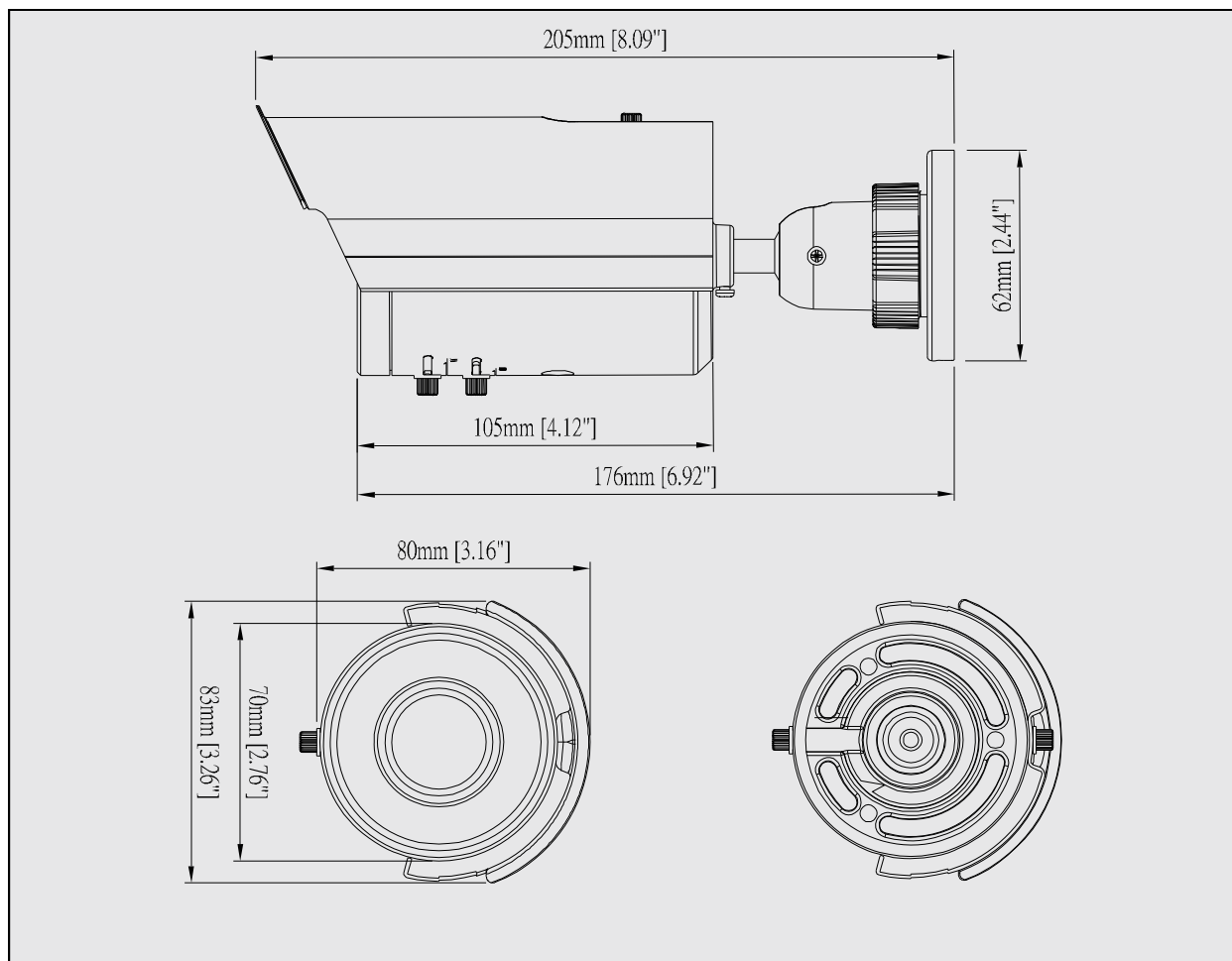
Image system				
Signal system	NTSC		PAL	
Image Sensor	1/3" SONY CCD			
Effective pixels(HxV)	768 x 494		752 x 582	
Electric				
Scanning system	2:1 Interlace V: 59.94Hz,		2:1 Interlace V: 50Hz,	
	H: 15.734KHz		H: 15.625KHz	
Sync system	Internal			
Horizontal resolution	540 TV lines (color)/ 600 TV lines (B/W)			
Built-in lens	f=9mm ~ 22mm, F1.4 DC iris varifocal IR-corrected lens External adjustments (zoom and focus)			
Day & Night Mode	Yes(Mechanical ICR Filter)			
View angle	Horizontal: 32.1°(wide) ~ 13.1°(tele) Vertical: 23.3°(wide) ~ 9.8°(tele)			
Gamma correction	0.45			
Minimum illumination	IR LED OFF: 0.015 lux (F1.4, AGC on, 10 IRE); 0.3lux (F1.4, AGC on, 50 IRE) IR LED ON: 0lux			
S/N ratio	More than 50dB (AGC off)			
Gain control	Auto			
White balance	Auto: (2500°K ~ 9500°K)			
BLC	Auto(Center Weighting)			
Video output	1Vpp composite output, 75 ohm			
IR LED	Super power LED 36pcs			
IR wavelength	850nm			
Plate Capture	Non-Reflective	Reflective	Non-Reflective	Reflective
IR distance	15 Meter (49.2 feet)			
Capture range	3~8 Meter (10-27 ft.)			
Capture speed	up to 30 km/h (16 mph)			
IR turn on status	Under 10 lux by photocell auto controlled			
LED life	More than 10,000 hours (50°C/122°F)			
Power supply				
Power requirement	DC12V/AC24V			
Power consumption	10W (max.)	7W (max.)	10W (max.)	7W (max.)
Environment				
Operating temperature	-10°C ~ 50°C (13.9 °F ~ 122°F)			
Operating humidity	30 ~ 90% RH			
Storage temperature	-20°C ~ 60°C (-4°F ~ 140°F)			
Mechanism				
Dimensions(øxH)	ø83mmx205mm (ø3.26" x 8.09")			
Weight	610g (1.35 lb)			
Construction	Sunshield ; Cable management bracket Compact die-cast aluminum ; Tempered Glass			
Protection class	IP66 ; Vandal-resistance			
Ordering Information	SCR506-HN5	SCR506R-HN5	SCR506-HP5	SCR506R-HP5

2009.8.20 version.

MESSOA reserves the right to update this datasheet at any time without notice.

MESSOA USA e-mail:info.us@messo.com/MESSOA Taiwan e-mail:info@messo.com

Dimensions



2009.8.20 version.

MESSOA reserves the right to update this datasheet at any time without notice.

MESSOA USA e-mail: info.us@messo.com/MESSOA Taiwan e-mail: info@messo.com